

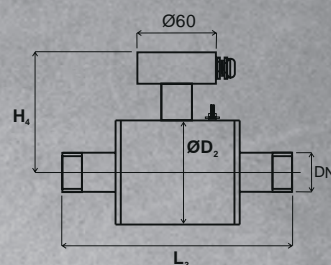
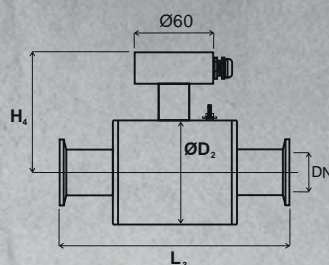
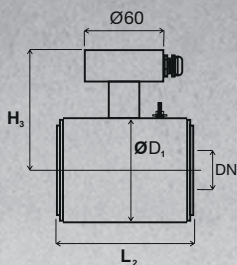
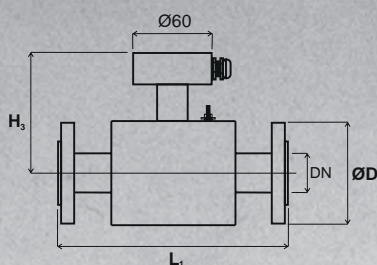
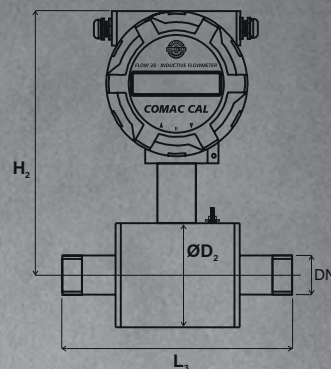
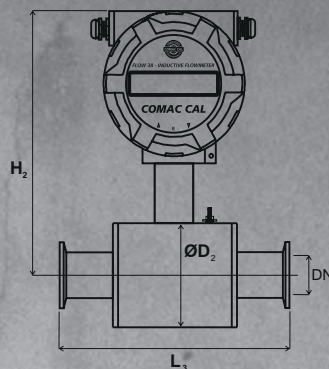
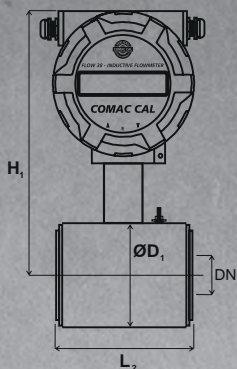
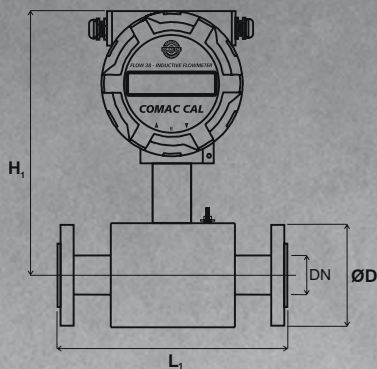
FLOW 45

FLANGE
(EN 1092)

SANDWICH

CLAMP/FOOD THREAD
(DIN32676/DIN11851)

THREAD
(EN 10226-1)



Constructional lengths can be modified upon agreement with the manufacturer.

DIMENSIONAL TABLE

Connection [mm]	Constructional length [mm]					Outside diameter [mm]		Total height of [mm]			
						Sensor body		Compact design		Separated design	
	Flanged	Sandwich (PN25)	Threaded (connection)	Food Thread	Food Clamp	Sandwich (PN25)	Threaded	Flanged	Threaded	Flanged	Threaded
							Food Thread	Sandwich (PN25)	Food Thread	Sandwich (PN25)	Food Thread
						Food Clamp	Food Clamp	Food Clamp	Sandwich (PN25)	Food Clamp	
DN	L1	L2	L3	L3	L3	D1	D2	H1	H2	H3	H4
10	200	90	186 (3/8")	173	180	51	70	173	177	86	90
15	200	90	190 (1/2")	165	175	51	70	173	177	86	90
20	200	90	200 (3/4")	170	175	61	80	173	182	86	95
25	200	90	200 (1")	180	175	71	90	178	187	91	100
32	200	90	228 (1 1/4")	192	175	82	100	183	192	96	105
40	200	110	248 (1 1/2")	215	203	92	116	188	200	101	113
50	200	110	258 (2")	228	211	107	136	196	210	109	123
65	200	130	upon agreement	upon agreement	upon agreement	127	151	206	218	119	131
80	200	130	upon agreement	upon agreement	upon agreement	142	177	213	231	126	144
100	250	200	-	-	-	168	-	226	-	139	-
125	250	200	-	-	-	194	-	239	-	152	-
150	300	200	-	-	-	224	-	254	-	167	-
200	350	200	-	-	-	284	-	284	-	197	-

Note: D - The outside diameter corresponds to the required pressure class and standards.