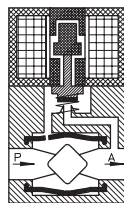
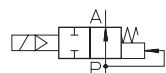


### Type MG 102

2-way solenoid valve  
servo actuated, NO  
(normally open)



**Application**  
Neutral liquids, gases  
and vapors



Type/ Order No.	Orifice [mm]	Port size	Pressure range [bar]		kv-value [m³/h]	Weight [kg]
			AC	DC		
MG 102-002	40	G1 1/2	0,5-10	0,5-10	29,5	2,7

Sealing material: **P** (NBR) **E** (EPDM) **V** (FPM)

Body material: Brass  
 Inner parts: Stainless steel (1.4105)  
 Mounting direction: Free, preferred upwards  
 Max. ambient temp.: 50 °C  
 Viscosity of the medium: max. 21 mm²/s (3 °E)  
 Static pressure: max. 10 bar  
 Standard voltage: DC: 24, 12 V  
 AC: 230 V, 115 V, 42 V,  
 24 V, 12 V (50 or 60 Hz)

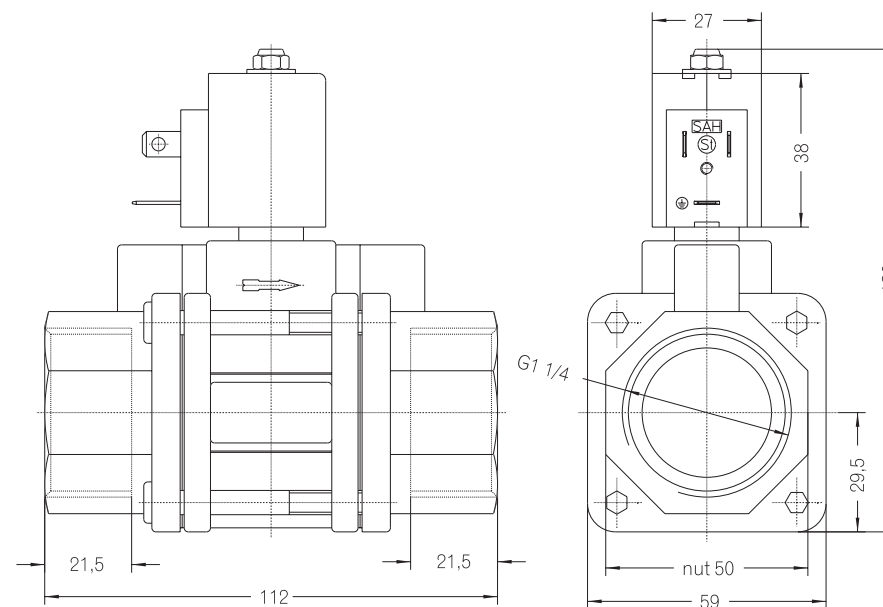
Power consumption: 11 VA / 8 W  
 Voltage tolerance: -15%... +10%  
 Duty cycle: 100 %  
 Operating frequency: max. 60/min  
 Degree of Protection: IP 54 (EN 60529)  
 Internal circuit for AC: Y

264

Other configurations upon request



The right to modification is reserved



265

Dimensions in mm