

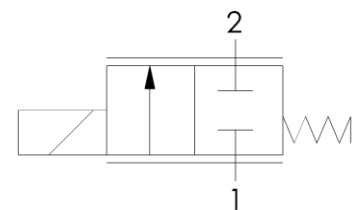
- Reduced nominal power consumption
- 2-way proportional miniature NC valve
- Compact geometry with an outside diameter of 15 mm
- Current controlled

TECHNICAL DATA

Function	2/2 NC proportional cartridge
Pneumatic connection	cartridge
Electrical connection	flying leads, 70 – 80 mm
Media type	air, oxygen, inert gases
Media quality	≤ 10 µm
Orifice	0.5 mm
Operating pressure	0...10 bar(g) / 0...145 psig
Max. flow (air @ 10 bar(g) @ 20 °C)	up to 21 l _s /min
Flow coefficient Kv	up to 0.010 m ³ /h
Temperature range, ambient	5 °C to 50 °C
Temperature range, media	5 °C to 50 °C
Temperature range, storage	-40 °C to 80 °C
Internal leakage @ p _{max}	< 1 ml/min
External leakage @ p _{max}	< 1 ml/min
Current range	0 to 150 mA
Nominal coil resistance @ 20 °C	60.5 Ω
Recommended open-circuit voltage	24 V
Nominal power consumption @ 20 °C	max. 1.45 W
Thermal resistance (without flow)	approx. 45 K/W
Duty cycle (without flow)	100 % @ I < 150 mA
Weight	23 g
Current hysteresis	< 8 % of max. current
Mounting position	Any direction

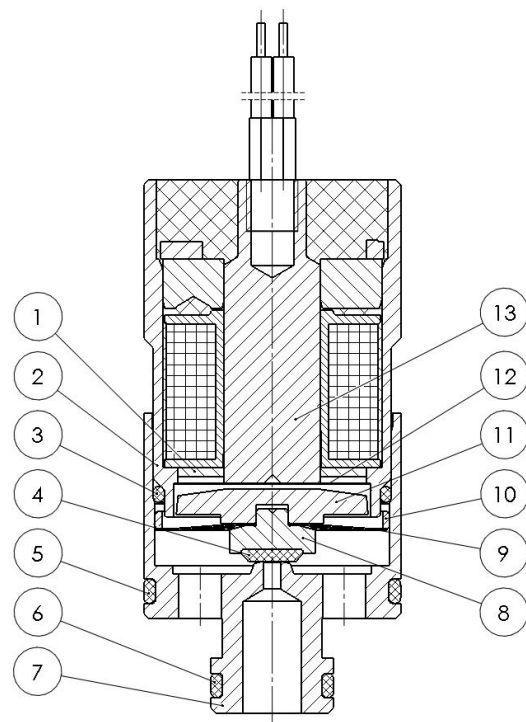


PNEUMATIC SYMBOL

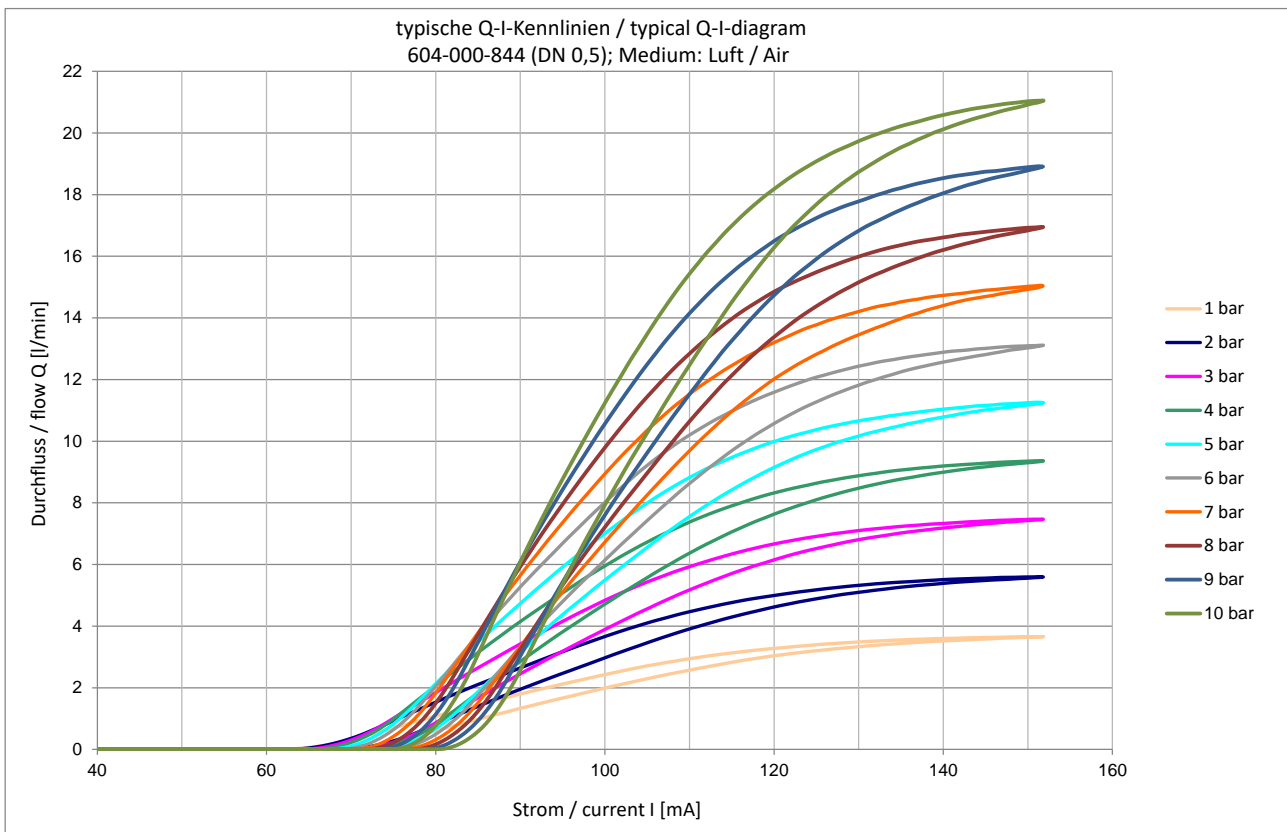


MATERIALS IN CONTACT WITH MEDIUM

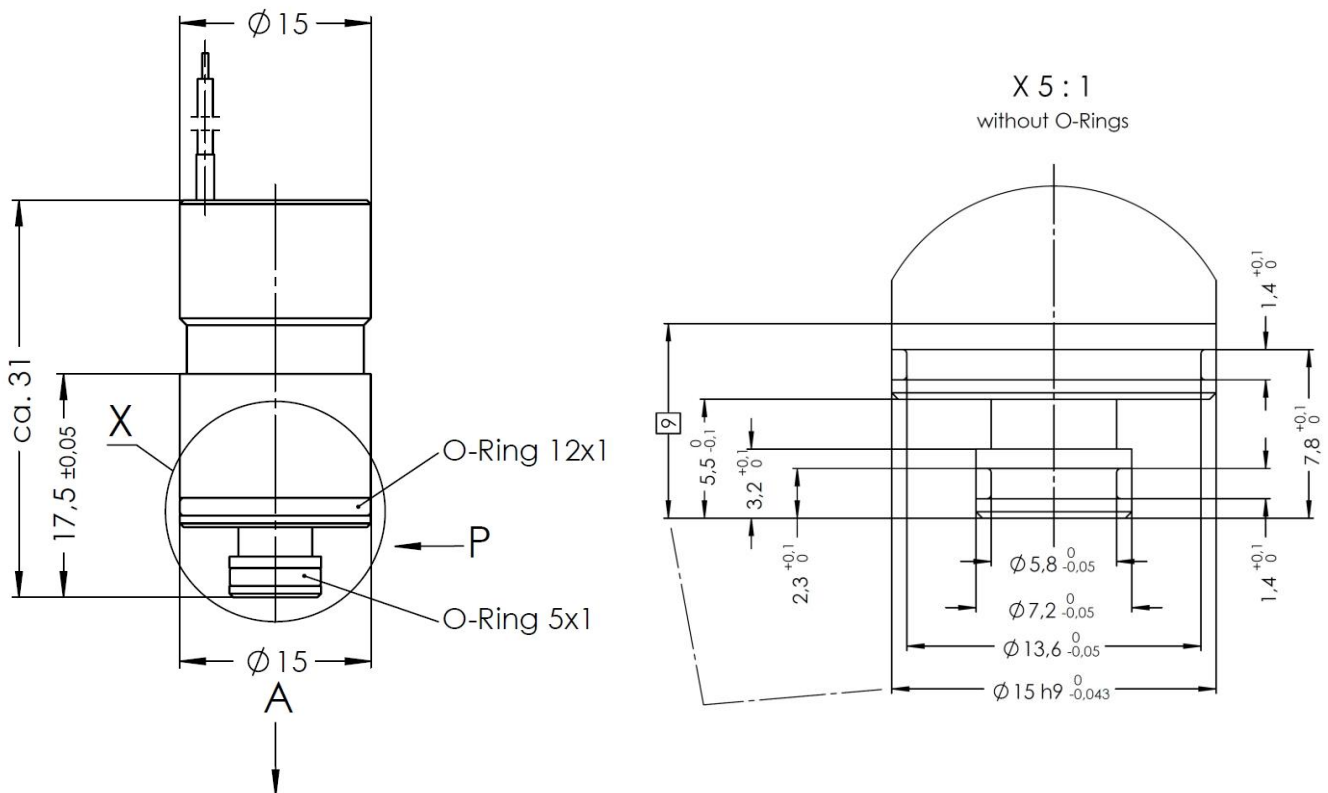
Pos.	Material
1	1.4305
2	1.4105
3	FKM
4	FKM
5	FKM
6	FKM
7	1.4305
8	1.4305
9	1.4310
10	1.4305
11	1.4105
12	PTFE
13	1.4105



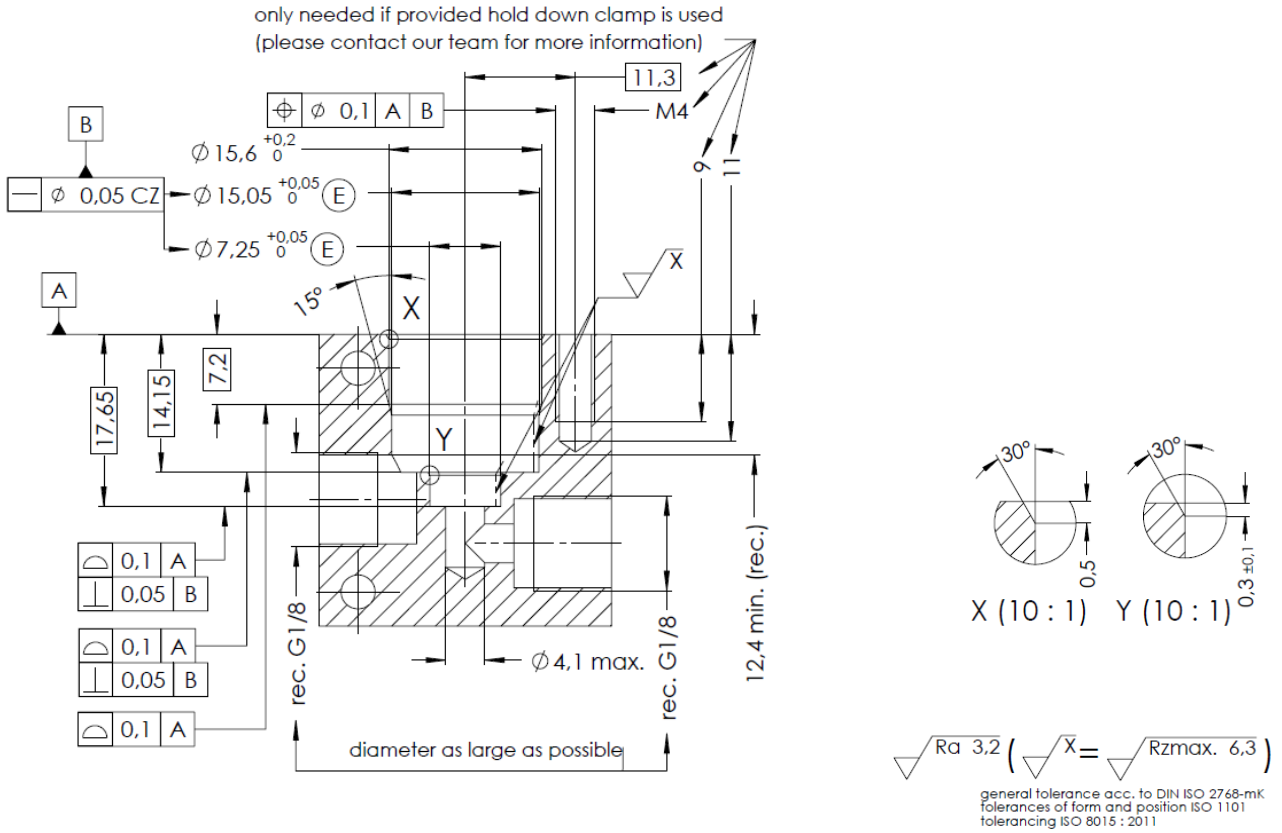
TYPICAL FLOW-CURRENT DIAGRAM



VALVE DIMENSIONS



INSTALLATION GEOMETRY SUGGESTION



The technical information given describes the normal features of our products and do not constitute a warranty declaration. All values were determined under laboratory conditions and have to be verified by the customer for its specific purpose. Through continuous technical progress, all rights to changes and modification are reserved. Status: May 2021