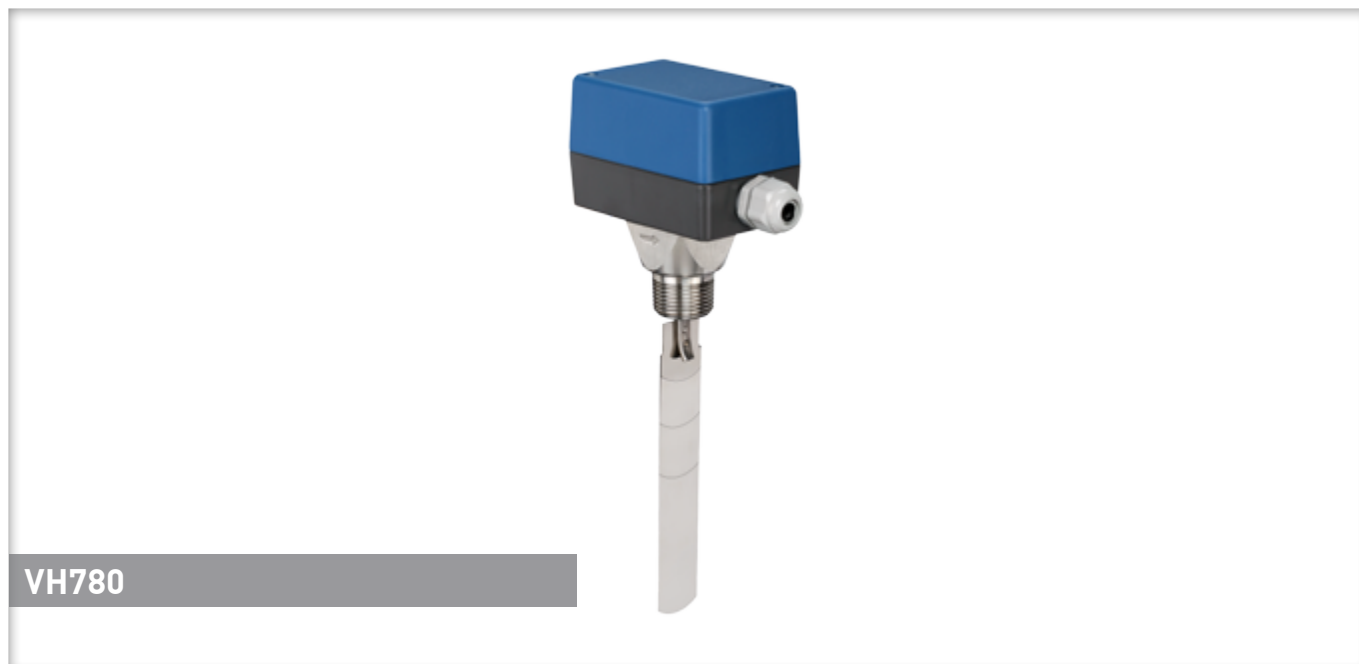


## VH780 // for insertion installation



### Your advantages

<b>Series</b>	<b>VH780</b>
	<ul style="list-style-type: none"> <li>• Universal flow switches for DN 32...200</li> <li>• Adjustable for pipe size and setpoint by paddle size selection</li> <li>• High switching currents → Microswitch is used as switching element</li> </ul>

### Technical data

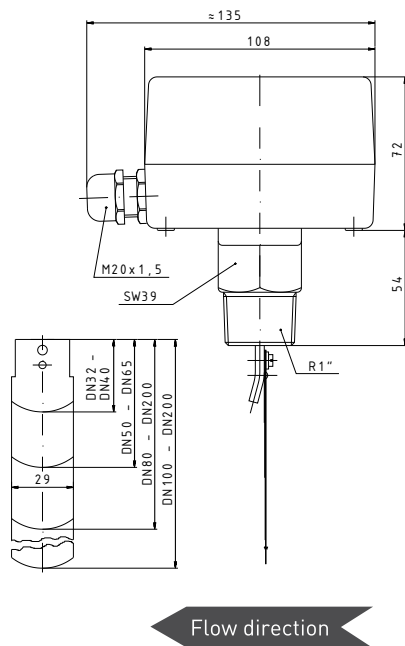
<b>Switching function</b>	Change over contact
<b>Pressure rating</b>	Max. 11 bar (brass) Max. 30 bar (stainless steel)
<b>Temperature ranges</b>	
<b>Medium</b>	-40...120 °C
<b>Ambient</b>	-40...85 °C (10...90 % rH)
<b>Storage and Transportation</b>	-40...85 °C, < 95 % rH
<b>Electrical data</b>	
<b>Change over contact max. contact rating</b>	250 VAC, 15 A, 8 A inductive load
<b>Degree of protection EN 60529</b>	IP65
<b>Protection class EN 60730-1</b>	Class I

Nominal diameter	Paddle to select**	Setpoint ranges [m³/h]*				Max. flow rate [m³/h]
		Standard Setpoint		Low Setpoint		
		Increasing flow ON	Decreasing flow OFF	Increasing flow ON	Decreasing flow OFF	
DN 32	29 x 34 mm	1.3...3.0	0.8...2.8	0.9...1.6	0.25...1.4	3.6
DN 40	29 x 34 mm	1.7...4.0	1.1...3.7	1.2...2.2	0.5...1.6	4.8
DN 50	29 x 60 mm	3.1...6.1	2.2...5.7	2.3...4.1	0.9...3.6	7.3
DN 65	29 x 60 mm	4.0...7.0	2.7...6.5	3.1...5.5	1.2...4.9	8.4
DN 80	29 x 89 mm	6.2...11.4	4.3...10.7	4.9...8.2	2.1...7.4	13.7
DN 100	29 x 167 mm***1	8.0...18.4	6.1...17.3	7.7...13.0	3.3...11.6	22.1
DN 125	29 x 167 mm***2	12.9...26.8	9.3...25.2	11.5...19.6	5.0...17.5	32.2
DN 150	29 x 167 mm***3	16.8...32.7	12.3...30.6	14.1...23.9	6.1...21.4	39.2
DN 200	29 x 167 mm	46.5...94.2	38.6...90.8	36.5...61.8	21.7...55.3	113

\* Water, 20 °C, horizontal pipe, tolerance ±15 %

\*\* Higher setpoints selectable by use of smaller paddle sizes.

\*\*\*1shortened to 29 x 91 mm, \*\*\*2shortened to 29 x 117 mm, \*\*\*3shortened to 29 x 144 mm



#### Materials in contact with fluid

	Brass version	Stainless steel version
<b>Body</b>	Brass CW617N	Stainless steel 1.4404
<b>Paddle</b>	Stainless steel 1.4404	
<b>Lever</b>	Brass CW617N	Stainless steel 1.4404
<b>Teeth lock washer</b>	Stainless steel 1.4301	
<b>Fastening screw</b>	Stainless steel 1.4301	
<b>Bellow</b>	Bronze CW453	Stainless steel 1.4404

Order code				
Type				
VH780	VH780J4			
Material				
Brass		1		
Stainless steel		3		
Setpoint				
Standard				1LS10110
Low				2LS10110
Example order number		VH780J4	1	1LS10110

BEST  
SELLER

Type	Order number
VH780   Material: Brass, Setpoint: Standard	VH780J4   1   1LS10110

