



### FEATURES

- Easy to set-up, easy to use
- Weeks/months/years of data storage
- User-selected sampling interval
- Data retrieval with laptop computer
- Single data retrieval device serves multiple data loggers

### APPLICATIONS

- Water usage monitoring, reporting, and management
- Custody transfer regulation
- Peak demand monitoring



### GENERAL INFORMATION

The DL76 is a battery-powered data logger that can be used with any Seametrics flowmeter. It stores pulses for up to 3 years, depending on the user-selected frequency of reading. Indicator lights on the unit flash to indicate when it is functioning and when the battery is low.

The DL76 can be factory-mounted on the meter or remotely mounted. Housings are rugged cast aluminum, gasketed for environmental protection.

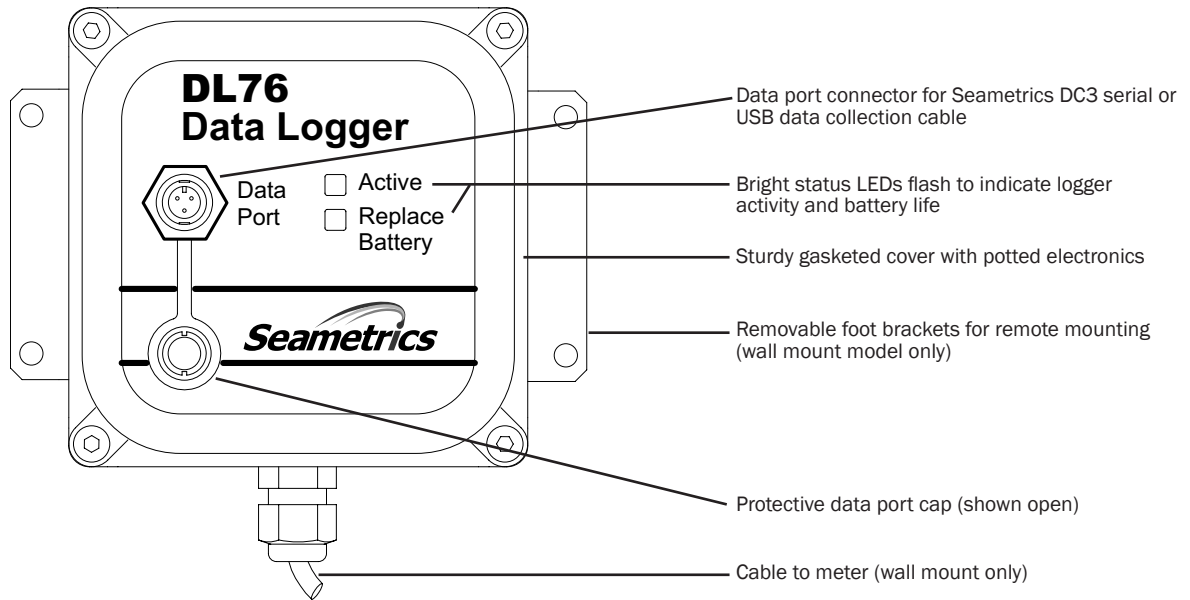
When a DL76 logger is placed into operation, it is easily set up using a laptop computer. Data is also retrieved from the

DL76 by means of a laptop and can be analyzed on the laptop or easily loaded on a desktop computer for analysis.

**\*FlowInspector version 2 software (ordered separately) is required** for the downloading, storing, viewing, graphing, charting and printing of data in several formats. FlowInspector requires a PC with Windows 98, NT, 2000, XP, Vista or Windows 7; CD-Rom drive; 800 x 600 screen resolution; serial port or USB/serial adapter; and a Seametrics DC3 data cable. FlowInspector can be used with an unlimited number of dataloggers.

\*Older versions of FlowInspector are not compatible with the DL76.

## FEATURES

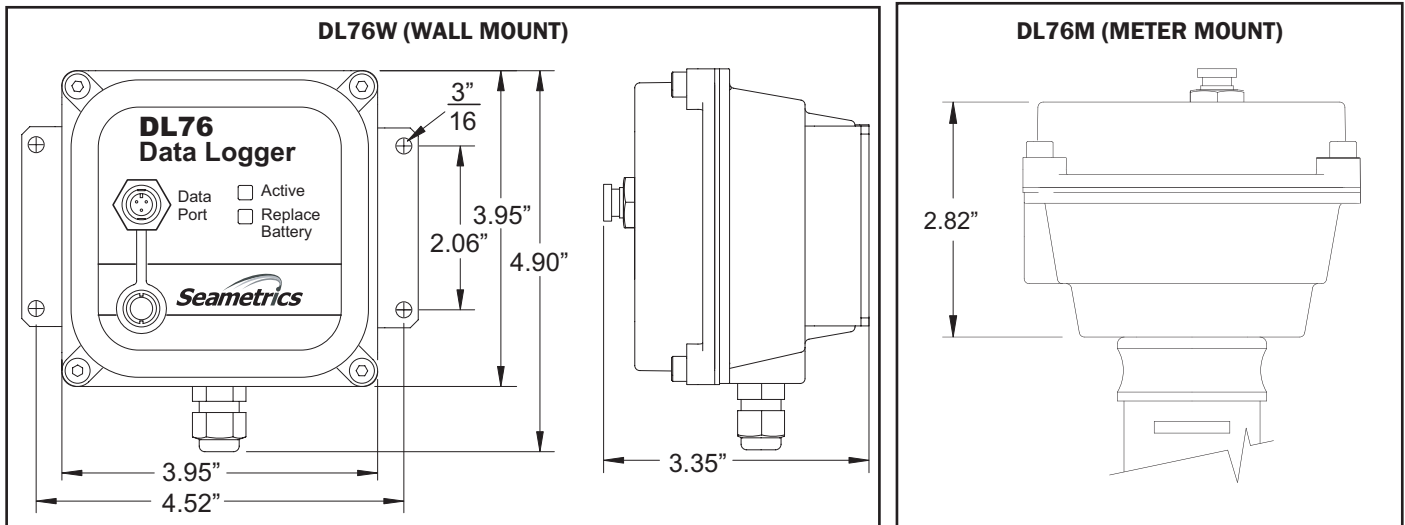


## SPECIFICATIONS\*

<b>Power</b>	Size C 3.6 Vdc lithium battery (included)		
<b>Battery Life</b>	Estimated life is 3-5 years depending on usage.		
<b>Temperature</b>	0° to 130° F (-18° to 54° C)		
<b>Rate Units</b>	<b>Volume</b>	mL, liter, gallon, Imperial gallon, cubic foot, cubic meter, million gallon	
	<b>Time</b>	Seconds, minutes, hours, days	
<b>Total Units</b>	Liter, gallon, Imperial gallon, cubic foot, cubic meter, million gallon, acre-foot, acre-inch, megaliter, thousand-gallon		
<b>Data Storage Capacity</b>  Example: If logging interval is every 480 seconds (8 min.) = 7.5 datapoints/hour = 180 datapoints/day. Therefore: for 365 days capacity is 65,700 datapoints/year.	<b>Capacity</b>	<b>at</b>	<b>Sampling Interval</b>
	11 days	at	15 seconds
	22 days	at	30 seconds
	44 days	at	60 seconds
	6 months	at	240 seconds
	1 year	at	480 seconds
	3 years	at	1450 seconds
<b>Maximum Input Frequency</b>	500 Hz		
<b>Indicators</b>	Low battery; Power		
<b>Memory Wraparound</b>	Selectable options (Stop or Overwrite) on 512KB Internal Memory		
<b>Clock Accuracy</b>	10 minutes/month (.02%)		
<b>Environmental</b>	NEMA 4X, IP66		

\*Specifications subject to change • Please consult our website for current data ([www.Seametrics.com](http://www.Seametrics.com)).

## DIMENSIONS

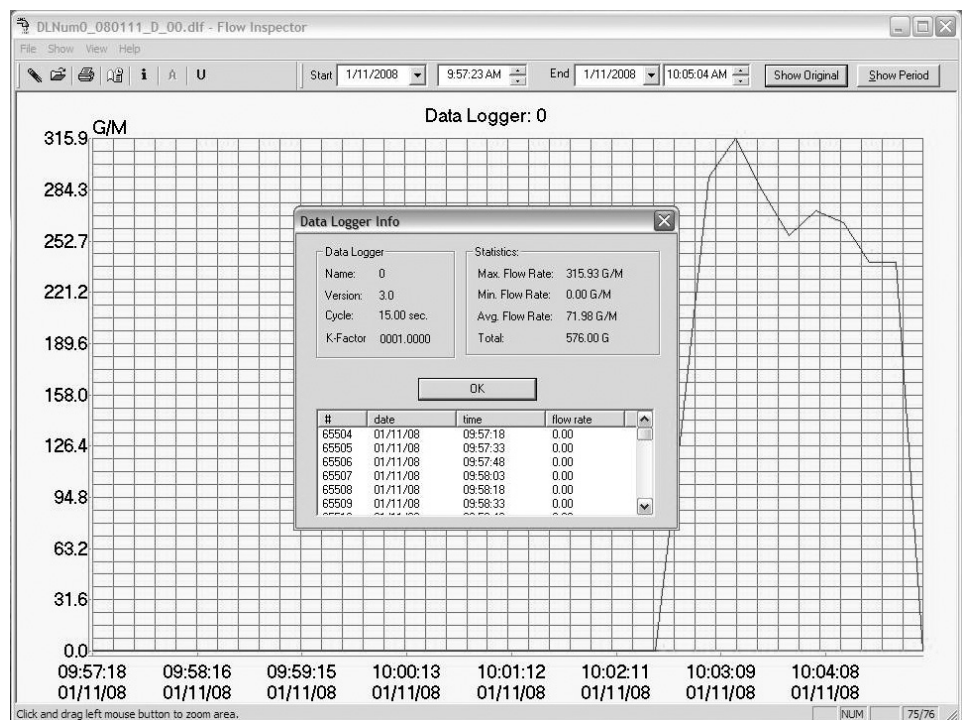


## FlowInspector™ SOFTWARE

**FlowInspector version 2 software (ordered separately) is required for setup and operation of the DL76**, including data retrieval (with a laptop computer), storage, and analysis. (NOTE: Older versions of FlowInspector are not compatible with the DL76.)

### FlowInspector Capabilities:

- Manage multiple loggers
- Record up to 3 years of data (depending on sampling interval)
- View current rate and total
- Download files to laptop
- Download files stored on the laptop
- Display flow information as a graph
- Display average and maximum/minimum flow rate for any selected time period
- Zoom in to graph any time period
- Show daily flow totals in table format
- Append multiple files
- Print graphs and tables
- Export data to an Excel spreadsheet (.csv) or simple text (.txt) file



## HOW TO ORDER

### MODEL

Data Logger = **DL76**

**DL76**

### MOUNTING

Wall mount = **W**

Meter mount = **See appropriate  
meter specification to order meter  
mounted units.**

### SOFTWARE

FI-SW Version 2\*

### ACCESSORIES

Data Logger Serial Cable for Laptop = **DC3**

Data Logger USB Cable for Laptop = **DC3-USB**

**NOTE:** If the DC3 Serial Cable is used with a laptop configured with a USB port, a serial-to-USB converter cable is required.

**NOTE:** FlowInspector software is provided at no charge but must be ordered as a separate line item.

\*FlowInspector software is also available for download at: [www.seametrics.com/downloads](http://www.seametrics.com/downloads)

## CONTACT YOUR SUPPLIER