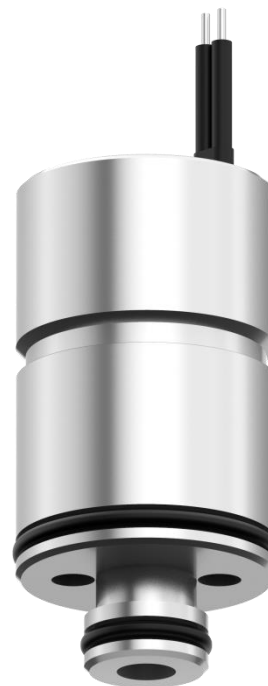


- 3/2-Way NC
- Extremely fast switching times
- Very small design with an outer diameter of 15 mm
- Long service life



### TECHNICAL DATA

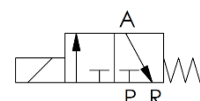
Function	3/2 NC
Pneumatic connection	Cartridge
Orifice size	0.5 mm
Weight	22 g
Mounting position	any
IP protection class (scope of delivery)	IP50
IP protection class (suitable plug)	IP65
Operating pressure	0 – 10 bar(g)
Pressure resistance	> 20 bar(g)
Flow rate with air @ max. pressure	> 18 l/min
Flow coefficient kv	max. 0.12 l/min
Temperature range, environment	5 – 50 °C
Temperature range, medium	5 – 50 °C
Temperature range, storage	-10 – 60 °C
Internal tightness	< 1 ml/min
External tightness	< 1 ml/min
Media quality	≤ 10 µm
Media	Air and inert gases, others upon request <sup>1</sup>



### ELECTRICAL DATA

Electrical connection	Flying leads
Length electrical connection	80 mm
Nominal voltage	12 V DC
Nominal coil resistance @ 20 °C	85 Ω
Nominal power consumption	1.7 W
Thermal resistance (no flow)	approx. 45 K/W
Permitted Duty cycle (no flow)	100 %

### PNEUMATIC SYMBOL

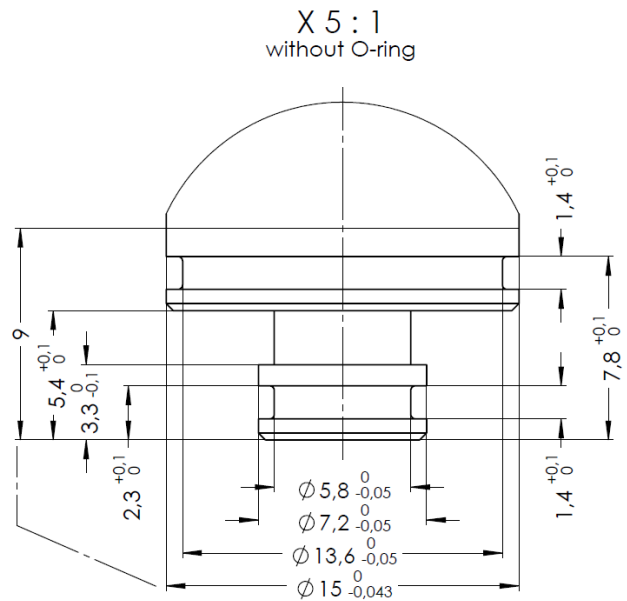
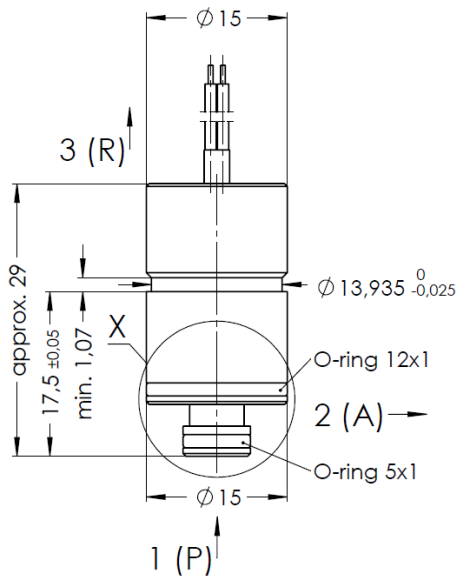


### WETTED MATERIALS

Housing	1.4305
Anchor	1.4105
Spring	1.4310
Seal o-ring	FKM
Seal anchor	FKM
Joint-connection	Loctite 603

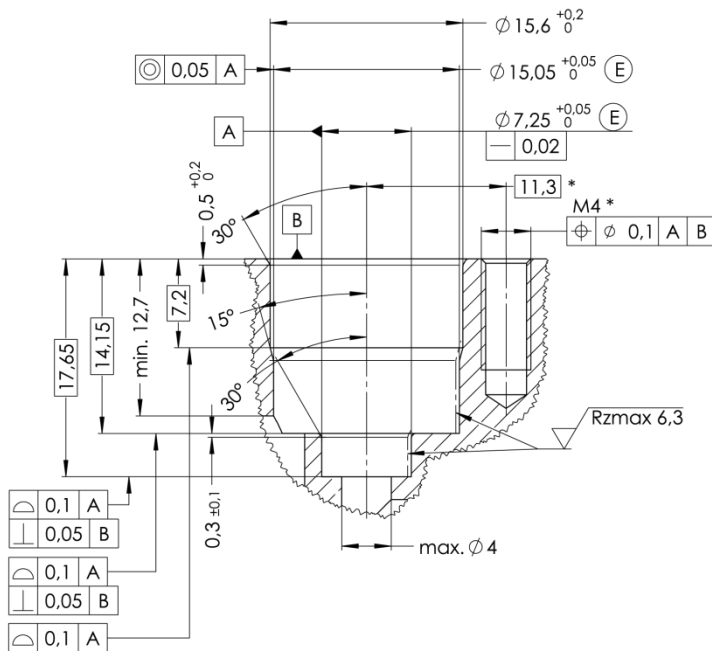
<sup>1</sup> Due to the use of stainless steel, the valve is suitable for many other media (including liquids) after prior testing. Please contact us for more information.

**VALVE DIMENSIONS**



**INSTALLATION RECOMMENDATION**

Schnittstellengeometrie P15  
 interface geometry P15



Übergänge an den Innendurchmessern  
 müssen abgerundet und gratfrei sein.  
 Edges on the inside diameters  
 must be rounded and free of burrs.

\* nur erforderlich, wenn mitgelieferter Niederhalter verwendet wird  
 (bitte kontaktieren Sie unser Team für weitere Informationen)  
 \* only needed if provided hold down clamp is used  
 (please contact our team for more information)

Allgemeintoleranz nach DIN ISO 2768-mK  
 Tolerierung nach DIN EN ISO 8015:2011  
 Maße nach DIN EN ISO 14405  
 Form- und Lagetoleranz nach DIN EN ISO 1101  
 general tolerance acc. to DIN ISO 2768-mK  
 tolerancing acc. to DIN EN ISO 8015:2011  
 dimensions acc. to DIN EN ISO 14405  
 tolerances of form and position acc. to DIN EN ISO 1101

$\sqrt{Rz\ 6,3}$  ( $\sqrt{Rzmax\ 6,3}$ )

**The maximum assembly force with which the valve can be pressed into the receptacle is 30 N.** It is recommended to lubricate the valve or the O-rings during assembly (e.g. with alcohol or DI water, depending on compatibility restrictions).

The technical information given describes the usual properties of our products and does not constitute a warranty statement. All values were determined under laboratory conditions and must be verified by the customer for his specific purpose. Due to continuous technical progress, all rights to changes and additions are reserved.

Status: 2023-07-06

- 3/2-Way NC
- Extremely fast switching times
- Very small design with an outer diameter of 15 mm
- Long service life



### TECHNICAL DATA

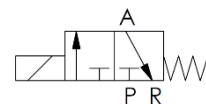
Function	3/2 NC
Pneumatic connection	Cartridge
Orifice size	1 mm
Weight	22 g
Mounting position	any
IP protection class (scope of delivery)	IP50
IP protection class (suitable plug)	IP65
Operating pressure	0 – 7 bar(g)
Pressure resistance	> 20 bar(g)
Flow rate with air @ max. pressure	> 55 l/min
Flow coefficient kv	max. 0.52 l/min
Temperature range, environment	5 – 50 °C
Temperature range, medium	5 – 50 °C
Temperature range, storage	-10 – 60 °C
Internal tightness	< 1 ml/min
External tightness	< 1 ml/min
Media quality	≤ 10 µm
Media	Air and inert gases, others upon request <sup>1</sup>



### ELECTRICAL DATA

Electrical connection	Flying leads
Length electrical connection	80 mm
Nominal voltage	12 V DC
Nominal coil resistance @ 20 °C	85 Ω
Nominal power consumption	1.7 W
Thermal resistance (no flow)	approx. 45 K/W
Permitted Duty cycle (no flow)	100 %

### PNEUMATIC SYMBOL

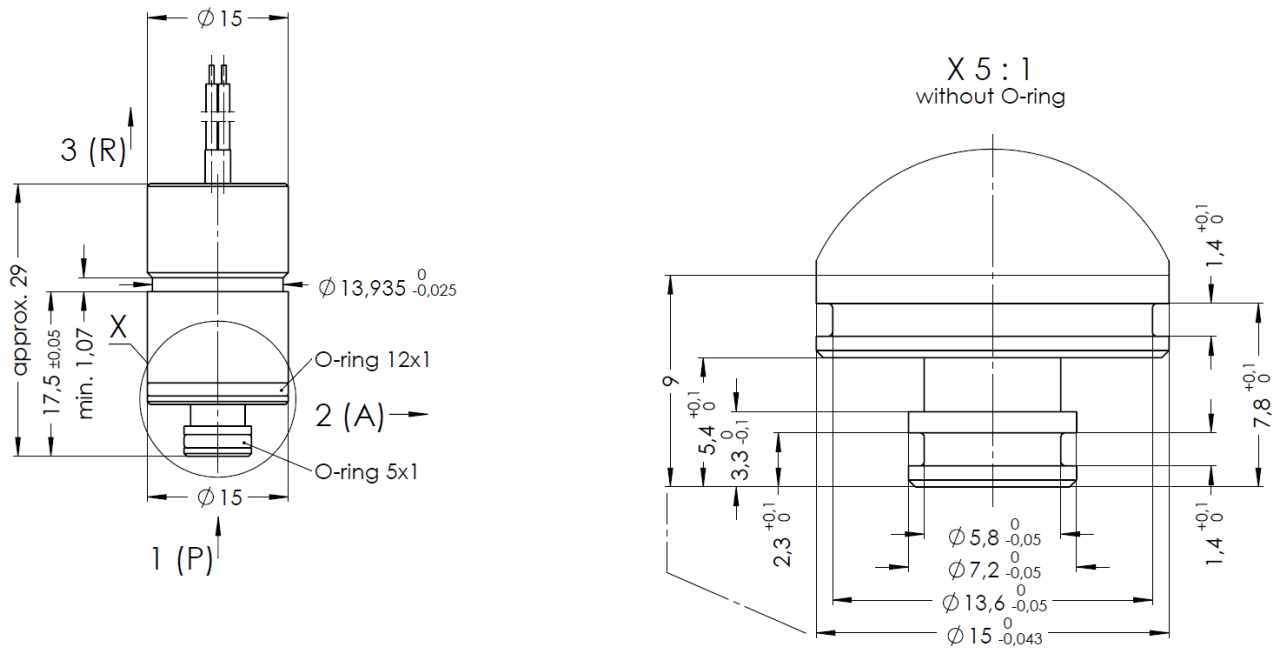


### WETTED MATERIALS

Housing	1.4305
Anchor	1.4105
Spring	1.4310
Seal o-ring	FKM
Seal anchor	FKM
Joint-connection	Loctite 603

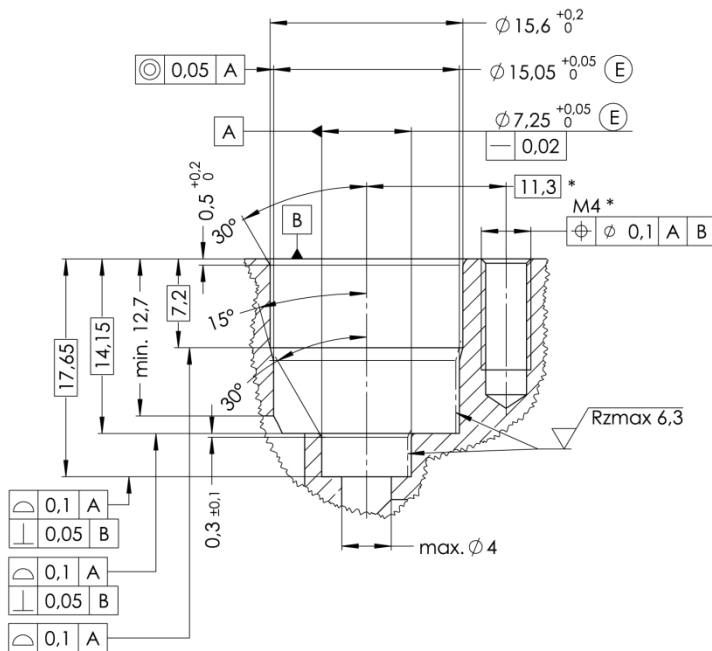
<sup>1</sup> Due to the use of stainless steel, the valve is suitable for many other media (including liquids) after prior testing. Please contact us for more information.

**VALVE DIMENSIONS**



**INSTALLATION RECOMMENDATION**

Schnittstellengeometrie P15  
 interface geometry P15



Übergänge an den Innendurchmessern  
 müssen abgerundet und gratfrei sein.  
 Edges on the inside diameters  
 must be rounded and free of burrs.

\* nur erforderlich, wenn mitgelieferter Niederhalter verwendet wird  
 (bitte kontaktieren Sie unser Team für weitere Informationen)  
 \* only needed if provided hold down clamp is used  
 (please contact our team for more information)

Allgemeintoleranz nach DIN ISO 2768-mK  
 Tolerierung nach DIN EN ISO 8015:2011  
 Maße nach DIN EN ISO 14405  
 Form- und Lagetoleranz nach DIN EN ISO 1101  
 general tolerance acc. to DIN ISO 2768-mK  
 tolerancing acc. to DIN EN ISO 8015:2011  
 dimensions acc. to DIN EN ISO 14405  
 tolerances of form and position acc. to DIN EN ISO 1101

$\sqrt{Rz 6,3}$  ( $\sqrt{Rz_{max} 6,3}$ )

**The maximum assembly force with which the valve can be pressed into the receptacle is 30 N.** It is recommended to lubricate the valve or the O-rings during assembly (e.g. with alcohol or DI water, depending on compatibility restrictions).

The technical information given describes the usual properties of our products and does not constitute a warranty statement. All values were determined under laboratory conditions and must be verified by the customer for his specific purpose. Due to continuous technical progress, all rights to changes and additions are reserved.

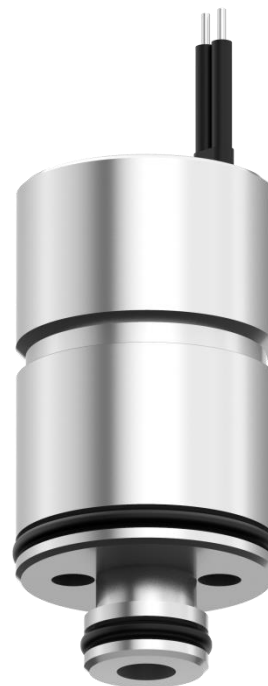
Status: 2023-07-06

- 3/2-Way NC
- Extremely fast switching times
- Very small design with an outer diameter of 15 mm
- Long service life



## TECHNICAL DATA

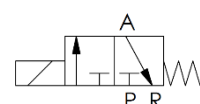
Function	3/2 NC
Pneumatic connection	Cartridge
Orifice size	1.5 mm
Weight	22 g
Mounting position	any
IP protection class (scope of delivery)	IP50
IP protection class (suitable plug)	IP65
Operating pressure	0 – 3.5 bar(g)
Pressure resistance	> 20 bar(g)
Flow rate with air @ max. pressure	> 55 l/min
Flow coefficient kv	max. 0.92 l/min
Temperature range, environment	5 – 50 °C
Temperature range, medium	5 – 50 °C
Temperature range, storage	-10 – 60 °C
Internal tightness	< 1 ml/min
External tightness	< 1 ml/min
Media quality	≤ 10 µm
Media	Air and inert gases, others upon request <sup>1</sup>



## ELECTRICAL DATA

Electrical connection	Flying leads
Length electrical connection	80 mm
Nominal voltage	12 V DC
Nominal coil resistance @ 20 °C	85 Ω
Nominal power consumption	1.7 W
Thermal resistance (no flow)	approx. 45 K/W
Permitted Duty cycle (no flow)	100 %

## PNEUMATIC SYMBOL

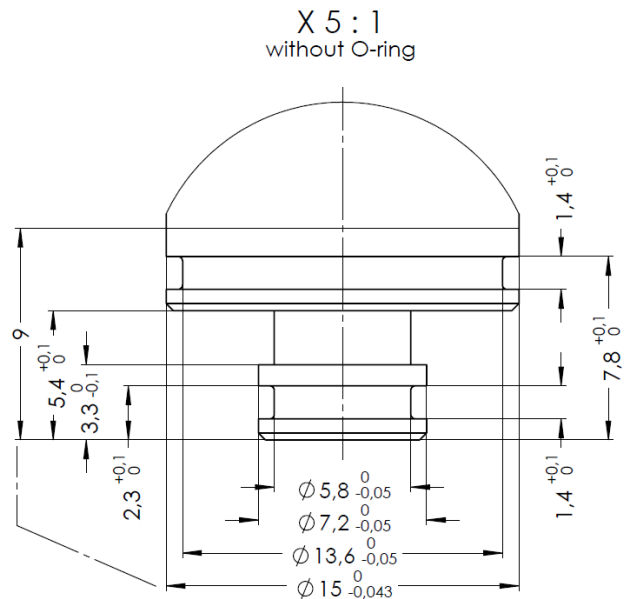
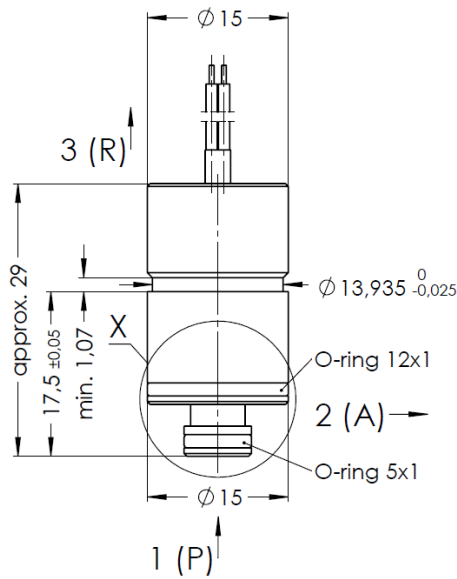


## WETTED MATERIALS

Housing	1.4305
Anchor	1.4105
Spring	1.4310
Seal o-ring	FKM
Seal anchor	FKM
Joint-connection	Loctite 603

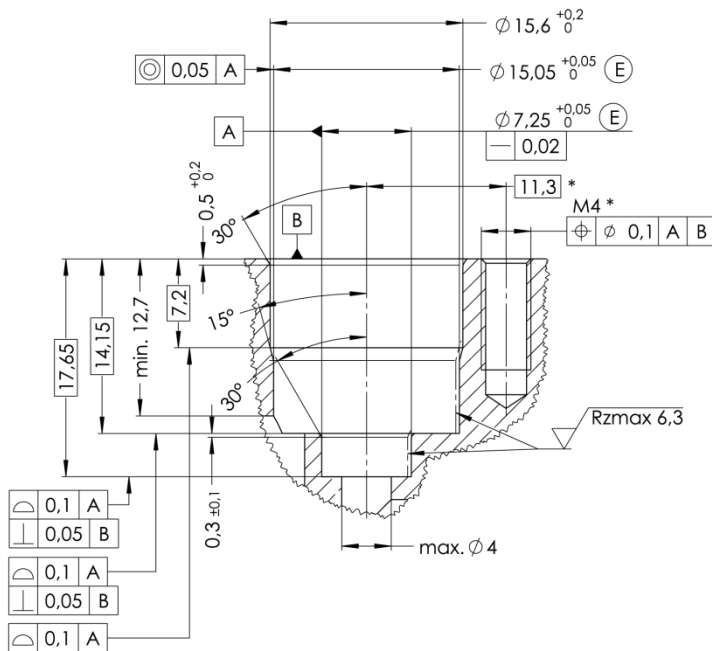
<sup>1</sup> Due to the use of stainless steel, the valve is suitable for many other media (including liquids) after prior testing. Please contact us for more information.

**VALVE DIMENSIONS**



**INSTALLATION RECOMMENDATION**

Schnittstellengeometrie P15  
 interface geometry P15



Übergänge an den Innendurchmessern  
 müssen abgerundet und gratfrei sein.  
 Edges on the inside diameters  
 must be rounded and free of burrs.

\* nur erforderlich, wenn mitgelieferter Niederhalter verwendet wird  
 (bitte kontaktieren Sie unser Team für weitere Informationen)  
 \* only needed if provided hold down clamp is used  
 (please contact our team for more information)

Allgemeintoleranz nach DIN ISO 2768-mK  
 Tolerierung nach DIN EN ISO 8015:2011  
 Maße nach DIN EN ISO 14405  
 Form- und Lagetoleranz nach DIN EN ISO 1101  
 general tolerance acc. to DIN ISO 2768-mK  
 tolerancing acc. to DIN EN ISO 8015:2011  
 dimensions acc. to DIN EN ISO 14405  
 tolerances of form and position acc. to DIN EN ISO 1101

$\sqrt{Rz\ 6,3}$  ( $\sqrt{Rzmax\ 6,3}$ )

**The maximum assembly force with which the valve can be pressed into the receptacle is 30 N.** It is recommended to lubricate the valve or the O-rings during assembly (e.g. with alcohol or DI water, depending on compatibility restrictions).

The technical information given describes the usual properties of our products and does not constitute a warranty statement. All values were determined under laboratory conditions and must be verified by the customer for his specific purpose. Due to continuous technical progress, all rights to changes and additions are reserved.

Status: 2023-07-06

- 3/2-Way NC
- Extremely fast switching times
- Very small design with an outer diameter of 15 mm
- Long service life



### TECHNICAL DATA

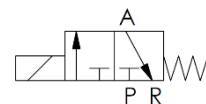
Function	3/2 NC
Pneumatic connection	Cartridge
Orifice size	2 mm
Weight	22 g
Mounting position	any
IP protection class (scope of delivery)	IP50
IP protection class (suitable plug)	IP65
Operating pressure	0 – 1 bar(g)
Pressure resistance	> 20 bar(g)
Flow rate with air @ max. pressure	> 35 l/min
Flow coefficient kv	max. 1.32 l/min
Temperature range, environment	5 – 50 °C
Temperature range, medium	5 – 50 °C
Temperature range, storage	-10 – 60 °C
Internal tightness	< 1 ml/min
External tightness	< 1 ml/min
Media quality	≤ 10 µm
Media	Air and inert gases, others upon request <sup>1</sup>



### ELECTRICAL DATA

Electrical connection	Flying leads
Length electrical connection	80 mm
Nominal voltage	12 V DC
Nominal coil resistance @ 20 °C	85 Ω
Nominal power consumption	1.7 W
Thermal resistance (no flow)	approx. 45 K/W
Permitted Duty cycle (no flow)	100 %

### PNEUMATIC SYMBOL

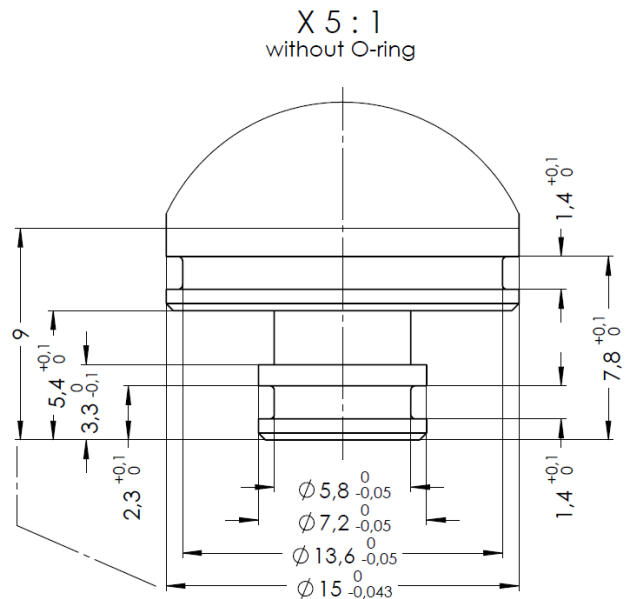
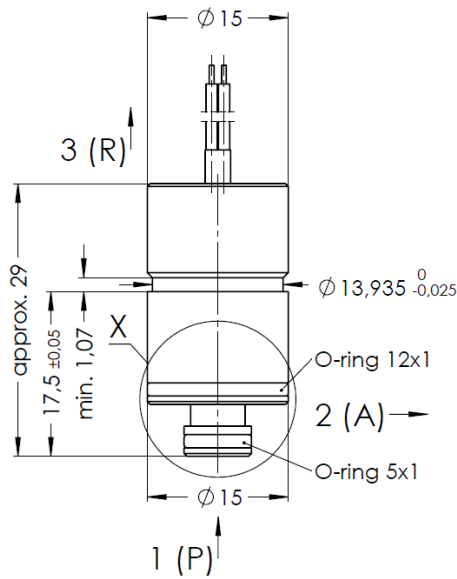


### WETTED MATERIALS

Housing	1.4305
Anchor	1.4105
Spring	1.4310
Seal o-ring	FKM
Seal anchor	FKM
Joint-connection	Loctite 603

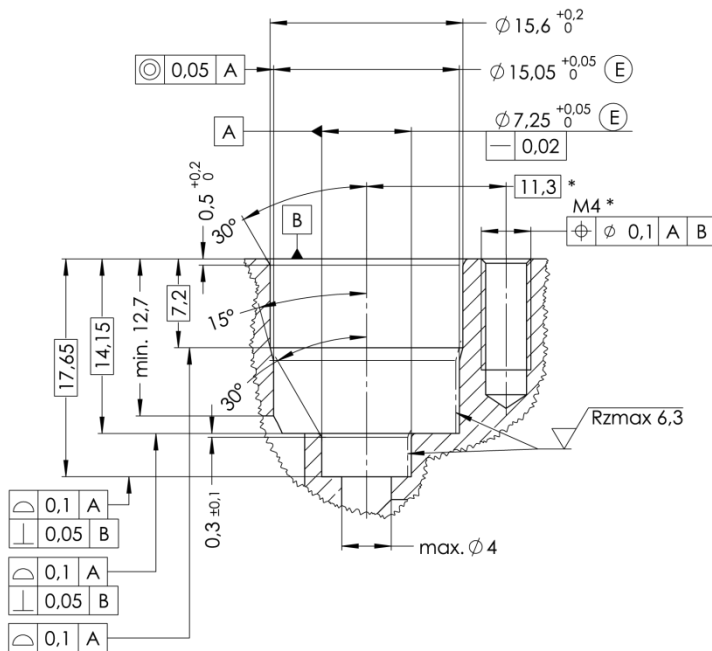
<sup>1</sup> Due to the use of stainless steel, the valve is suitable for many other media (including liquids) after prior testing. Please contact us for more information.

**VALVE DIMENSIONS**



**INSTALLATION RECOMMENDATION**

Schnittstellengeometrie P15  
 interface geometry P15



Übergänge an den Innendurchmessern  
 müssen abgerundet und gratfrei sein.  
 Edges on the inside diameters  
 must be rounded and free of burrs.

\* nur erforderlich, wenn mitgelieferter Niederhalter verwendet wird  
 (bitte kontaktieren Sie unser Team für weitere Informationen)  
 \* only needed if provided hold down clamp is used  
 (please contact our team for more information)

Allgemeintoleranz nach DIN ISO 2768-mK  
 Tolerierung nach DIN EN ISO 8015:2011  
 Maße nach DIN EN ISO 14405  
 Form- und Lagetoleranz nach DIN EN ISO 1101  
 general tolerance acc. to DIN ISO 2768-mK  
 tolerancing acc. to DIN EN ISO 8015:2011  
 dimensions acc. to DIN EN ISO 14405  
 tolerances of form and position acc. to DIN EN ISO 1101

$\sqrt{Rz\ 6,3}$  ( $\sqrt{Rzmax\ 6,3}$ )

**The maximum assembly force with which the valve can be pressed into the receptacle is 30 N.** It is recommended to lubricate the valve or the O-rings during assembly (e.g. with alcohol or DI water, depending on compatibility restrictions).

The technical information given describes the usual properties of our products and does not constitute a warranty statement. All values were determined under laboratory conditions and must be verified by the customer for his specific purpose. Due to continuous technical progress, all rights to changes and additions are reserved.

Status: 2023-07-06